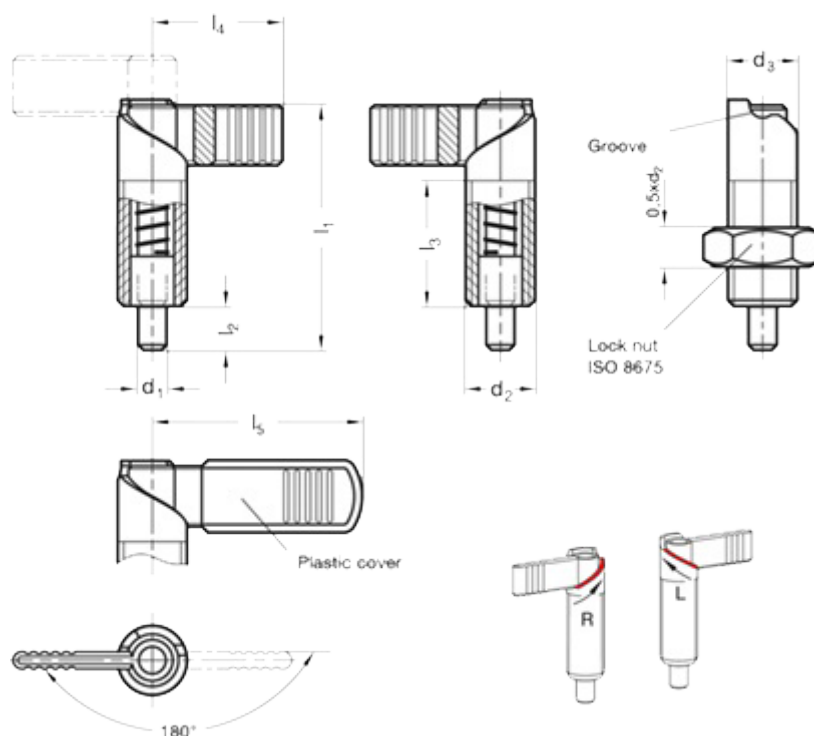


Article number: 20721610M2015LB
 Description: E+G indexing plunger
 GN 721.5-10-M20x1,5-LB

Measures



d1 = 10
 d2 = M20x1.5
 d3 = 20
 l1 = 69
 l2 = 12
 l3 = 37
 l4 = 37
 l5 = 52

Spring load in N end = 21
 Spring load in N top = 57
 Weight in (g) = 132